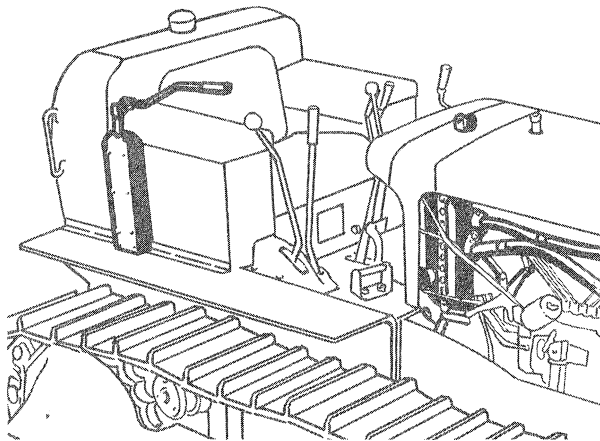


**OPERATION AND  
MAINTENANCE  
INSTRUCTIONS**

**CATERPILLAR**  
**165**  
**HYDRAULIC CONTROL**  
**DASH MOUNTED**



**SERIAL NUMBERS**

**38F1-UP**

**39F1-UP D6 TRACTOR**

**69F1-UP**

Caterpillar Tractor Co., General Offices, Peoria, Illinois. • Caterpillar Americas Co., Peoria, Illinois. • Caterpillar Overseas C.A., Caracas. • Caterpillar of Australia Pty. Ltd., Melbourne. • Caterpillar Brasil S.A., São Paulo. • Caterpillar Tractor Co. Ltd., Glasgow. • Caterpillar of Canada Ltd., Toronto.