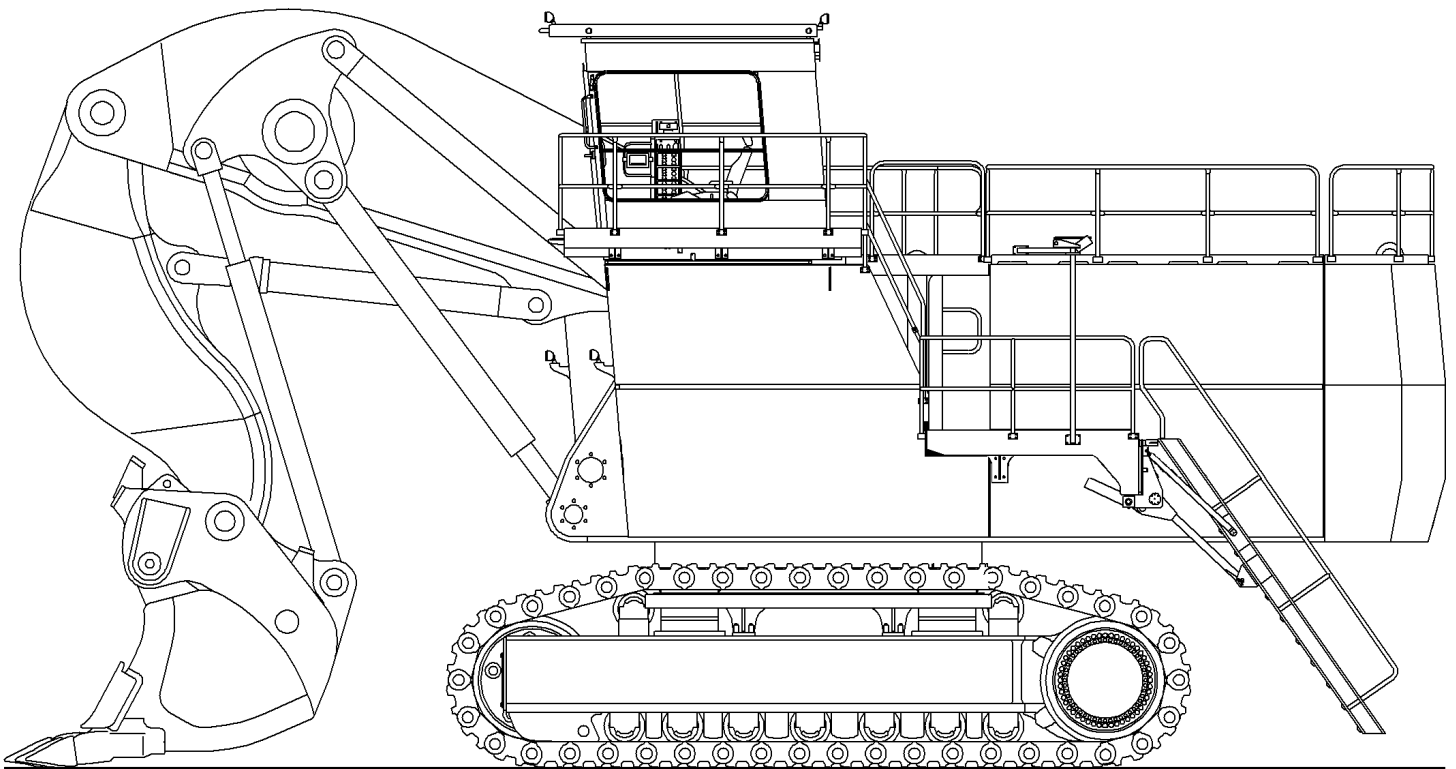




Parts Manual

6040	RH170B 170121	HYDR.EXCAVATOR HYDRAULIKBAGGER	00000 3724570 - 000
-------------	-------------------------	-----------------------------------	-------------------------------



6040		RH170B 170121		HYDR.EXCAVATOR HYDRAULIKBAGGER		00000 3724570 - 000
Item	Quantity	ME	P/N	see page	Description	Beschreibung
1	1	ST	(3722262)	2	FOREWORD	VORWORT
2	1	ST	(3721282)	3	ASSEMBLY GROUPS OVERVIEW	UEBERSICHT HAUPT-BAUGRUPPEN
3	1	ST	(3843989)	4	LOWER CARRIAGE	UNTERWAGEN
4	1	ST	(3847105)	5	UPPER CARRIAGE	OBERWAGEN
5	1	ST	(3847074)	7	ATTACHMENT	AUSRUESTUNG
6	1	ST	(3723622)	8	OPTIONS	OPTIONEN
7	1	ST	(3725750)	9	KITS AND ACCESSORIES	SORTIMENTE UND ZUBEHOER
8	1	ST	(3721257)	146	ELECTRICAL SYSTEM	ELEKTROANLAGE