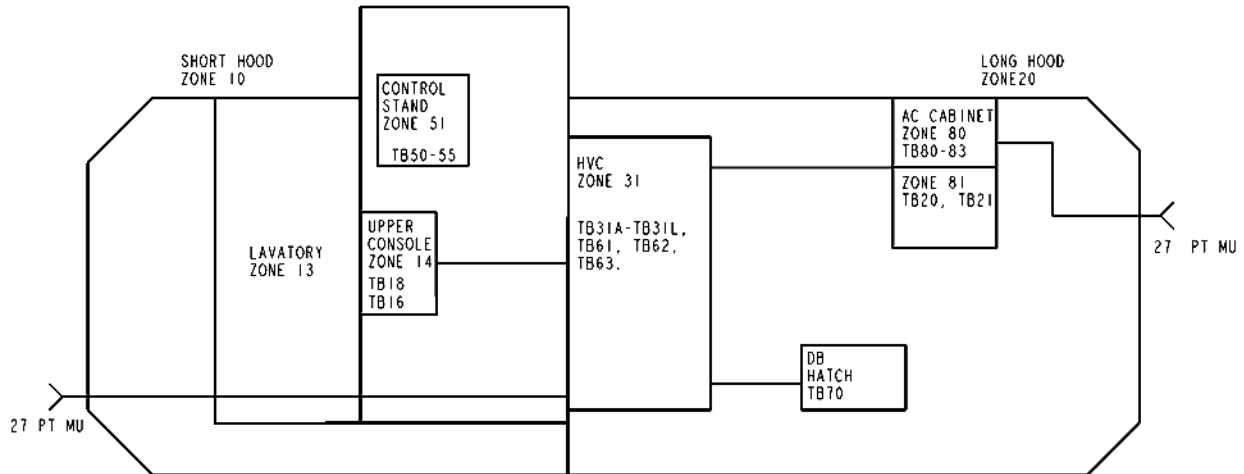


This parts list is not all inclusive but represents the majority of electrical components available for service and replacement. Contact a Progress Rail Services representative for any components not listed here. Order parts using the Caterpillar part numbers when available. For more detailed information refer to schematic: p/n 390-7914 or media number: UENR4856.

ZONE CHART



| CARBODY LOCATION | ZONE |
|------------------|------|
| SHORT HOOD | 10 |
| SUB BASE | 11 |
| LAVATORY | 13 |
| UPPER CONSOLE | 14 |
| ANT | 17 |
| CAB | 18 |
| LONG HOOD | 20 |
| BATTERY BOX | 21 |

| CARBODY LOCATION | ZONE |
|-----------------------|------|
| 3516 ENGINE ROOM | 27 |
| KATO GENERATOR/JX BOX | 28 |
| HVC | 31 |
| CONTACTOR BOX | 60 |
| DB HATCH | 70 |
| AC CABINET | 80 |
| UNDERFRAME | 90 |

PR30B Electrical Zone Chart

PR30B - ELECTRICAL PARTS LIST

| PR30B - ELECTRICAL PARTS LIST | | | |
|-------------------------------|----------|-----------------|------|
| DEVICE | CAT P/N | SUPPLIER P/N | ZONE |
| BATT_1 | 381-0113 | SURRETE_16CH33P | 21 |
| FUSE_START | 343-0937 | EMD_8060582 | 37 |
| BATT_2 | 381-0113 | SURRETE_16CH33P | 21 |
| BATT_SW | 343-0933 | EMD_8280185 | 80 |
| LT_FUSE_TEST | 339-9211 | EMD_8190621 | 80 |
| SW_EFCO_STOP | 339-9231 | EMD_8384650 | 59 |
| SW_START | 392-9889 | EMD_8265676 | 59 |
| SW_MAINT_LT | 339-9232 | EMD_8404148 | 59 |
| LT_PLTFM_LH | 343-0998 | EMD_8094886 | 20 |
| LT_ENG | 343-0998 | EMD_8094886 | 20 |
| LT_GRD | 348-8829 | EMD_8080403 | 90 |
| LT_SW_CAB_HLPR1 | 364-5924 | EMD_9095473 | 18 |
| LT_SW_CAB_ENGR | 364-5924 | EMD_9095473 | 18 |
| RH51 | | EMD_8481573 | 51 |
| LT_ST_L_SH | 348-8829 | EMD_8080403 | 10 |